

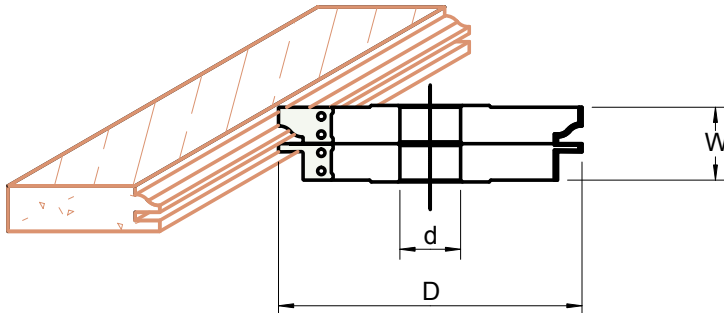
Door Profile Sets

3 + 3



Application:

For production of kitchen and similar size doors in solid timber. Material can vary in thickness from 16-30 mm depending on design of profile. Cutters designed for use on spindle moulders and multi-head machines.



Technical Details:

2 Pieces construction allows very accurate setting of tongue and groove dimensions. Inserts are able to be re-sharpened thus reducing costs. Wide range of standard profiles. Hi Strength Aluminum construction. Balanced design for smooth running. Bores to H7 tolerance. Positive insert location.

Sizes Available

CODE	D	d	W	Insert
SFDP-1506030-1¼	150	31.75	60	30x30x2 OS
SFDP-1506030-40	150	40	30X30X2 OS	

Spare Parts

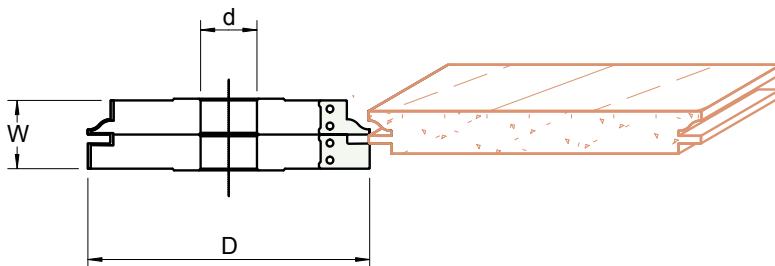
Clamp W-3030-OS-BS
Screw M6 x 26
Key 5A/F-TEE
End Stop M4x9HD

Door Counter Profile Sets

3 + 3

Application:

Matching cutters for Door Profile Sets. Suitable for doors in 16-30 material. Suitable for Spindle Moulders and D.E.T. machines.



Technical Details:

2 Piece construction allows very accurate setting of tongue and groove dimensions. Inserts are able to be re-sharpened thus reducing costs. Wide range of standard profiles. Hi Strength Aluminum construction. Balanced design for smooth running. Bores to H7 tolerance. Positive insert location.

Sizes Available

CODE	D	d	W	Insert
SFDCP-1506030-1¼	150	31.75	60	30x30x2 OS
SFDCP-1506030-40	150	40	60	30x30x2 OS

Spare Parts:

Clamp W-3030-OS BS
Clamp Screw M6 x 26
Key 5A/F-TEE
Inserts 30x30x2 OS Profiled
End Stop M4x9HD

Standard Profiles Available



NB: SPECIAL PROFILES AVAILABLE UPON REQUEST

